



BRACKLEY SOAPBOX DERBY SUNDAY 3rd JUNE 2018

THE EVENT AND RULES OF ENTRY

These rules are mandatory and form part of the conditions of entry to compete in the event. Any prospective competitor refusing or failing to adhere to the rules will not be allowed to compete. They have been designed for your safety and the safety of spectators and others taking part in the event. Please read them carefully.

The Event

The Brackley Soapbox Derby takes the form of a time trial for non-power assisted karts run over a straight inclined course. The 150-metre-long inclined course for the 2018 event will be the High Street, Brackley, from the traffic lights at Buckingham Road to the Market Place car park. The karts will be push started by no more than two team members between two points at the top of the hill. Each kart will make three (3) timed runs of the course and the final positions will be determined by the total time recorded of the three runs.

The organisers will conduct the event in accordance with all relevant statutory requirements. Uniformed officers and marshals will control the event.

This year's event will be restricted to 33 entries only.

Race Categories

The premier class is open to local businesses and organisations who would like to enter a more sophisticated design and construction. This will also offer an opportunity to promote and advertise services on our web site and at the event.

Entry categories will be as follows:-

1. **Premier Class.** Open to local businesses and organisations. Adult driver 18 years and over. Entry Fee £25.00
2. **Standard Class.** Driver 15 years and over. Entry Fee £15.00
3. **Junior Class.** Driver under 15 years. Entry Fee £10.00

Prizes will be awarded to the winner of the Premier Class and 1st 2nd and 3rd in standard and junior class.

Entries in the standard and junior class can compete for the annual best built and turned out kart award. This trophy is presented to the entrant judged to have built the most interesting, innovative and unusual kart.

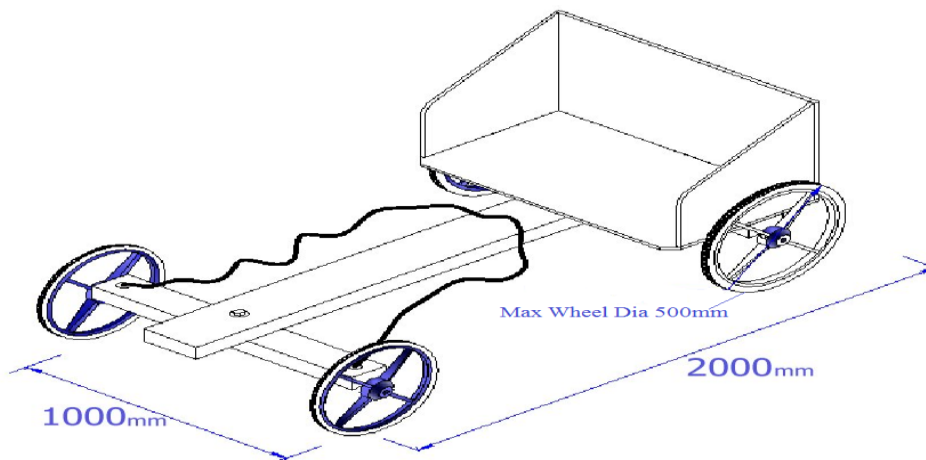
Technical and Structural Regulations

1 Premier Class

- 1.1 Any material can be used in the main construction of chassis.
- 1.2 Maximum External Length 2500mm. Maximum External Width 1000mm.
- 1.3 Four wheels or three wheels only will be allowed.
- 1.4 Wheels can be of any material and unrestricted diameter. Wheels must be contained within the 2500 x 1000 maximum dimensions.
- 1.5 No other protrusions will be allowed outside these dimensions.
- 1.6 A working braking must be fitted and will be checked at scrutineering.**
- 1.7 Design must carry one person only feet facing forward.
- 1.8 No exposed sharp corners will be allowed if considered unsafe.
- 1.9 Gravity propulsion only will be allowed. No other system of any type will be allowed to start.
- 1.10 Any ballast must be securely fixed to the kart.

2 Standard & Junior Class

- 2.1 Wood must be the major material of chassis and body construction. No totally steel chassis or monocoque will be permitted. Metal cannot be used to connect front and rear running gear.
- 2.2 Metal will only be allowed in wheels, steering, axles, bearing housings.
- 2.3 Materials that might shatter on impact will not be allowed.
- 2.4 Maximum External Length 2000mm. Maximum External Width 1000mm
- 2.5 Maximum wheel diameter 500mm/20inch including tyre. (Standard BMX wheel)
- 2.6 A working brake must be fitted and will be checked at scrutineering.**
- 2.7 Four wheels or three wheels only will be allowed.
- 2.8 No exposed sharp corners will be allowed if considered unsafe.
- 2.9 No other protrusions will be allowed outside maximum dimensions.
- 2.10 Gravity propulsion only will be allowed. No other system of any type will be allowed to start.
- 2.11 Any ballast must be securely fixed to the kart.
- 2.12 Covers may be attached to the chassis but must be considered safe on inspection.



Standard & Junior Specification Diagram.

General Conditions of Entry

- 3.1 Senior drivers must complete and sign the 'Driver Consent Form' at registration.
- 3.2 Drivers under 18yrs must complete the 'Driver Consent Form' and have their parent or guardian countersign the appropriate section of the form.
- 3.3 Brackley Soapbox Organising Committee's interpretation of the written rules and regulations shall be binding on the participant and the competition under their jurisdiction.
- 3.4 In addition, Brackley Soapbox Organising Committee may, at its discretion, provide a rule interpretation that shall be binding upon all participants and competitors.
- 3.5 The Organisers will have the right to refuse entry or withdraw entry of any kart or driver if in their opinion they pose a threat of injury to either themselves or others.
- 3.6 A Kart may be entered in the competition in one category only.**
- 3.7 A Kart can be run by two separate drivers in the junior category only.**
- 3.8 Karts to be made available by **12 noon** latest on the day of the event for "Rule and Safety" checks.
- 3.9 No changes to the Kart, apart from repairs, will be allowed after scrutineering, i.e. addition of extra weights etc.
- 3.10 Kart number will be issued with confirmation of entry.
- 3.11 Running order will be given on race day, subject to the above.

Driver Safety

- 4.0 All drivers must attend the pre-race briefing.
- 4.1 Drivers must wear helmets on the head with chinstrap secured.
- 4.2 Drivers legs and arms must be covered and the wearing of gloves is advised.
- 4.3 Drivers must ride the kart in a seated position facing forward.
- 4.4 Drivers must abide by reasonable instructions given by event officials or marshals in the interest of safety and the smooth operation of the event.
- 4.5 Brakes must be used to stop the kart once passed the finish line.

Note: - Points 3.6 & 3.7 will this year be strictly applied. If you have any queries regarding these conditions please contact us.

Brackley Soapbox Derby is intended to be a fun event and annually creates a family afternoon that everyone can enjoy whilst also raising funds for local charities. Safety of entrants, spectators and officials is paramount and the rules and regulations are designed to ensure that the event is conducted safely and for the maximum benefit of everyone. Please ensure you read them carefully and comply with the details as they will be enforced.

If you have any queries arising from these rules and regulations please contact the organising committee by e mail at info@brackleysoapbox.org.